



# HOSHIZAKI

## Parts List

Cubelet Icemaker/Dispenser

Models

DCM-500BAH

DCM-500BWH



[hoshizakiamerica.com](http://hoshizakiamerica.com)

Number: 71285  
Issued: 7-8-2006  
Revised: 9-4-2018

## CONTENTS

Auxiliary Codes.....	3
Note About Ordering Parts .....	3
A. Ice Dispenser Assembly .....	4
DCM-500BAH.....	4
DCM-500BAH.....	5
B. Refrigeration Circuit.....	10
DCM-500BAH.....	10
DCM-500BWH.....	12
C. Icemaking Unit .....	14
D. Water Circuit .....	16
E. Control Box Assembly.....	18
F. Middle Front Frame Assembly .....	20
G. Shutter Assembly .....	21
H. Gear Motor Assembly (Agitator & Dispense).....	24
I. Bin Assembly .....	25
J. Bin Top Assembly .....	26
K. Accessories & Labels .....	27

## Auxiliary Codes

### DCM-500BAH

T-0 March 2008  
T-1 October 2008  
U-0 January 2009  
U-1 August 2009  
V-0 January 2010  
V-2 May 2010  
V-3 June 2010  
V-4 July 2010  
V-1 November 2010  
A-0 January 2011  
A-1 June 2011  
B-0 January 2012  
C-0 January 2013  
C-1 November 2013  
D-0 January 2014  
E-0 January 2015  
F-0 January 2016  
G-0 January 2017  
H-0 January 2018

### DCM-500BWH

T-0 May 2008  
T-1 October 2008  
U-0 April 2009  
U-1 September 2009  
V-0 February 2010  
V-1 April 2010  
V-2 May 2010  
V-3 June 2010  
V-4 July 2010  
V-1 November 2010  
A-0 January 2011  
A-1 June 2011  
B-0 January 2012  
C-0 January 2013  
C-1 August 2013  
D-0 January 2014  
E-0 January 2015  
F-0 January 2016  
G-0 January 2017  
H-0 January 2018

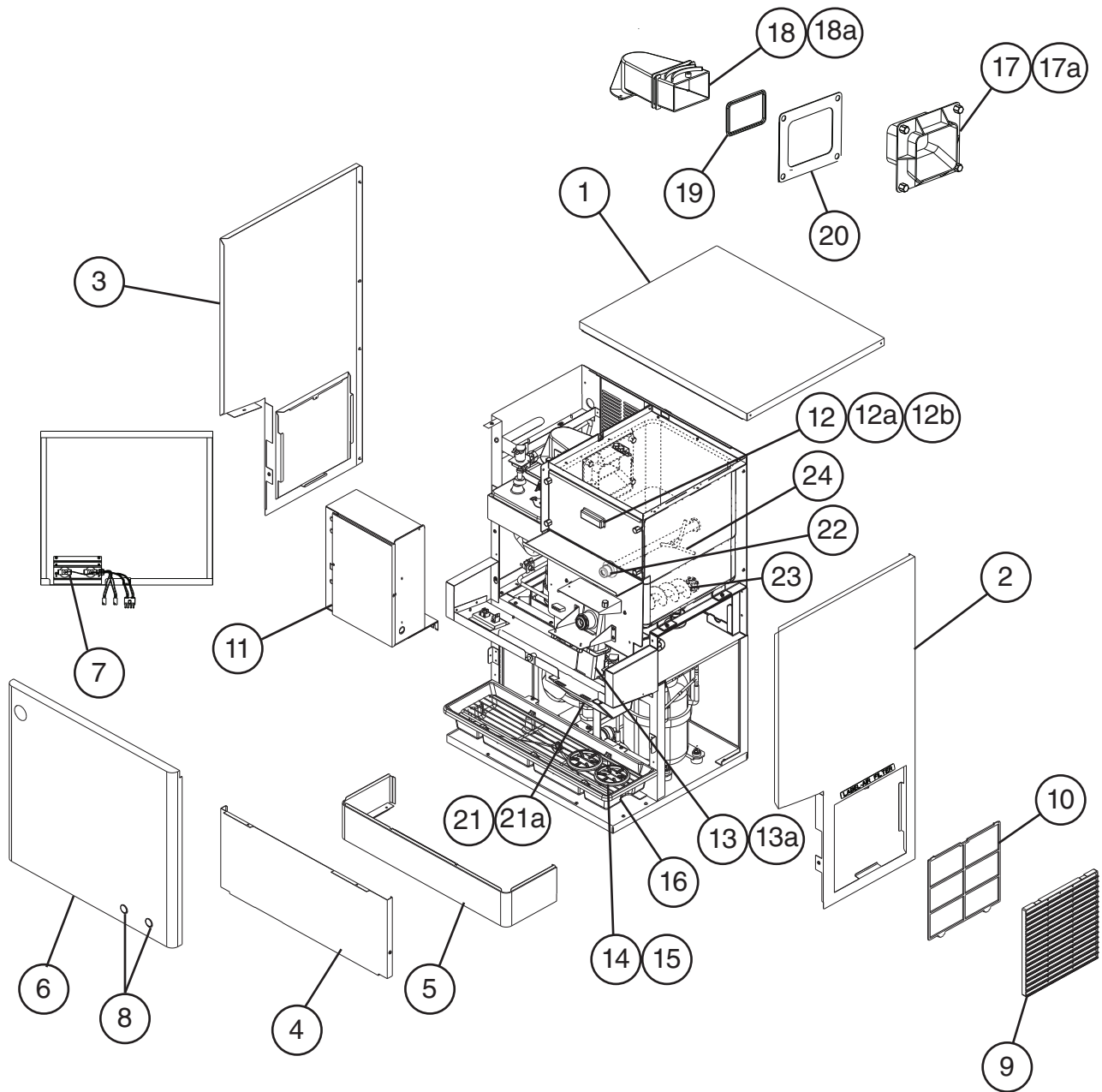
## Auxiliary Code Breakdown

The auxiliary code is the first two characters in the serial number. The first character indicates the year. Years progress or regress in alphabetical order. The series runs from "A" through "V" and the letters "I" and "O" are skipped. The second character indicates significant part changes within a year. Base is "0" and this number advances for each change. In cases where there is a letter in parentheses, this designates the month. This is the last character in the serial number. The series runs from "(A)" through "(M)" and the letter "(I)" is skipped. This designation is only included when identifying a parts change within an auxiliary code.

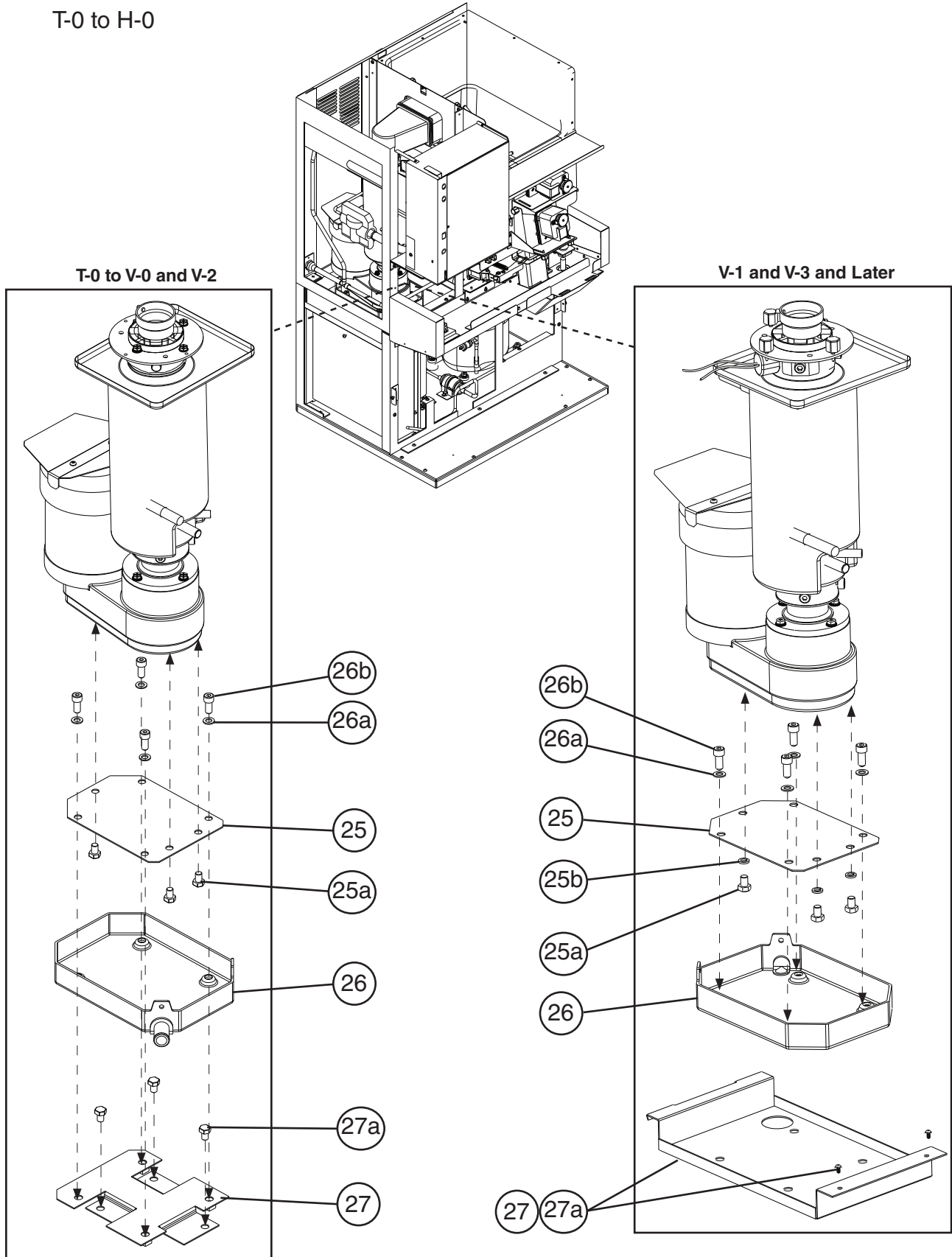
## Note About Ordering Parts

Most assemblies cannot be ordered as complete units; parts in the assemblies generally must be ordered separately.

**A. Ice Dispenser Assembly**  
**DCM-500BAH**  
**1/2**  
T-0 to H-0



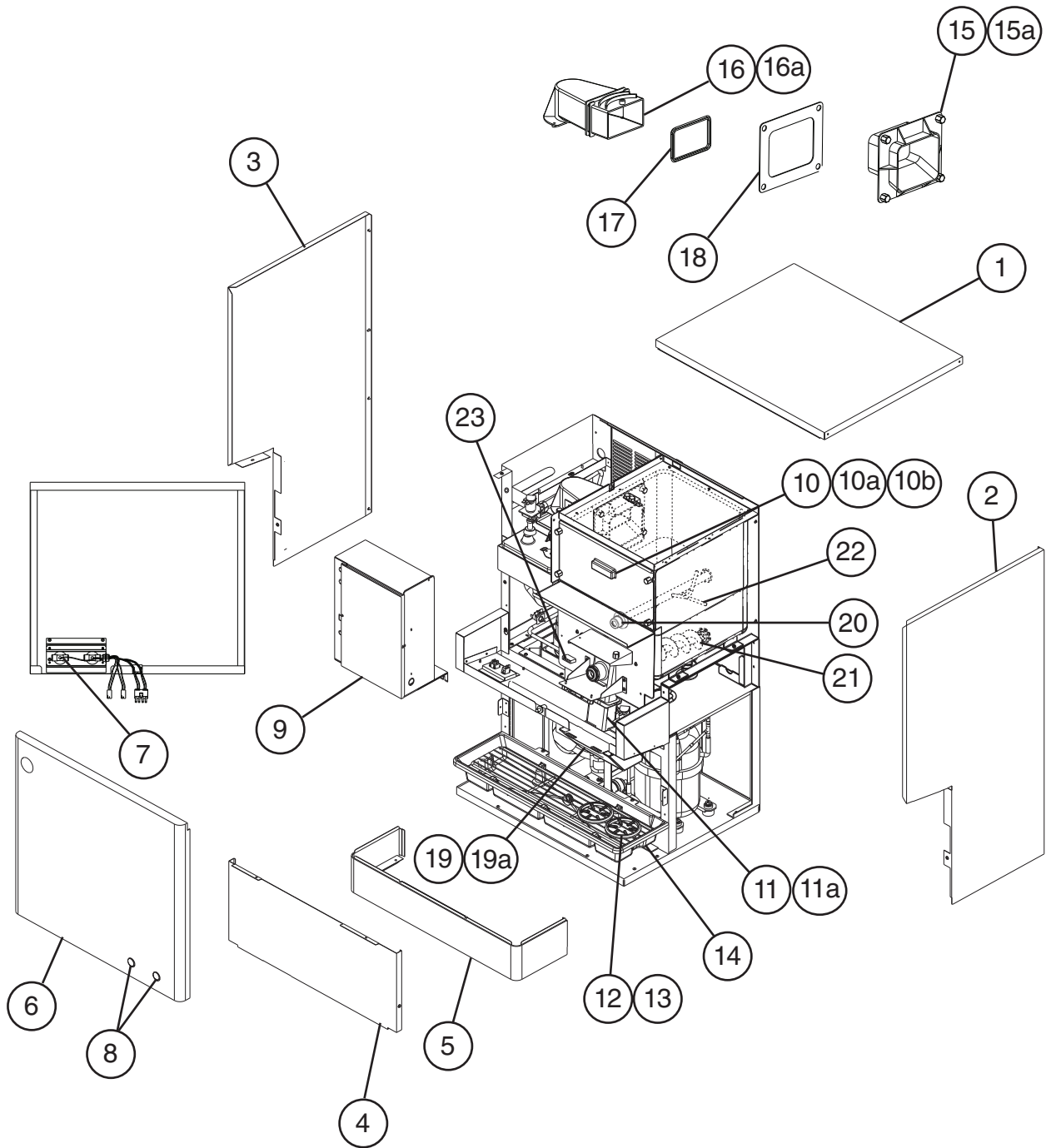
**A. Ice Dispenser Assembly**  
**DCM-500BAH**  
 2/2  
 T-0 to H-0



**Title: A. Ice Dispenser Assembly Model: DCM-500BAH**

Index No.	Description	Material or Model Number	Part Number	Required Number									
				T-0 to V-2	V-1 V-3 to E-0	F-0 to G-0	H-0						
1	Top Panel		3A2514G01	1	1	1	1						
2	Right Side Panel		2A2617-01	1	-								
			2A6143-02		1	1	1						
3	Left Side Panel		2A2616-01	1	-								
			2A6144-01		1	1	1						
4	Apron Panel		2A0720-01	1	1	1	1						
5	Middle Panel (Lo)		2A0699G01	1	1	1	1						
6	Front Panel Assembly (includes item 7)		3A4999A02	1	1	1	-						
			3A8897A01					1					
7	Push Switch Assembly (includes items 8)		3A4997A01	1	1	1	1						
8	Push Switch		435745-02	2	2	2	2						
9	Louver		103121-03	2	2	2	2						
10	Air Filter		208283G03	1	1	1	1						
11	Control Box Cover		4A5054-01	1	1	1	1						
12	Bin Cover		2A0880A02	1	1	1	1						
12a	Thumbscrew		415949G12	4	4	4	4						
12b	Bin Cover Gasket		318984G01	1	1	1	1						
13	Ice Chute		4A2204-01	1	1	1	1						
13a	Thumbscrew		415949G08	2	2	2	2						
14	Cup Guide		326702-01	2	2	2	2						
15	Grille		2A0827G01	1	1	1	1						
16	Drip Tray		2A2591G01	1	1	1	1						
17	Spout B		208807-01	1	1	1	1						
17a	Thumbscrew		415949G11	4	4	4	4						
18	Spout		103329G01	1	1	1	1						
18a	Thumbscrew		415949G11	3	3	3	3						
19	Spout Packing A		427195-01	1	1	1	1						
20	Spout Packing B		427196-01	1	1	1	1						
21	Spout Cover		215773-01	1	1	1	1						
21a	Thumbscrew		415949G08	2	2	2	2						
22	Gasket		429758-01	2	2	2	2						
23	Auger (Dispense)		339192G01	1	1	1	1						
24	Agitator		3A0895G01	1	1	1	1						
25	Gear Motor Base		4A4308-01	1	1	1	1						
25a	Hex Head Bolt	8x12	7B02-0812	3	3	3	3						
25b	Split Lock Washer	M8	7L22-0800		3	3	3						
26	Drain Pan		4A4354G01	1	-								
			4A4354G02		1	1	1						
26a	Flat Washer	M8, SS	7W22-0800	4	4	4	4						
26b	Allen Head Cap Screw	8x20, SS	7S12-0820	4	4	4	4						
27	Drain Pan Bracket		4A4315G01	1	-								
			2A5389G01		1	1	1						
27a	Hex Head Bolt	8x12	7B02-0812	3	-								
	FT Screw	4x8	7F32-0408		4	4	4						

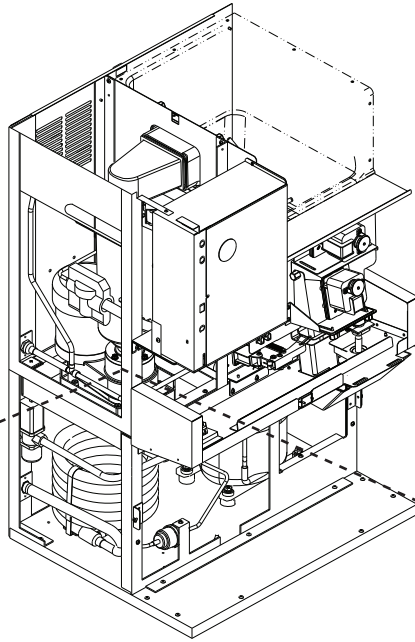
**A. Ice Dispenser Assembly**  
**DCM-500BWH**  
**1/2**  
T-0 to H-0



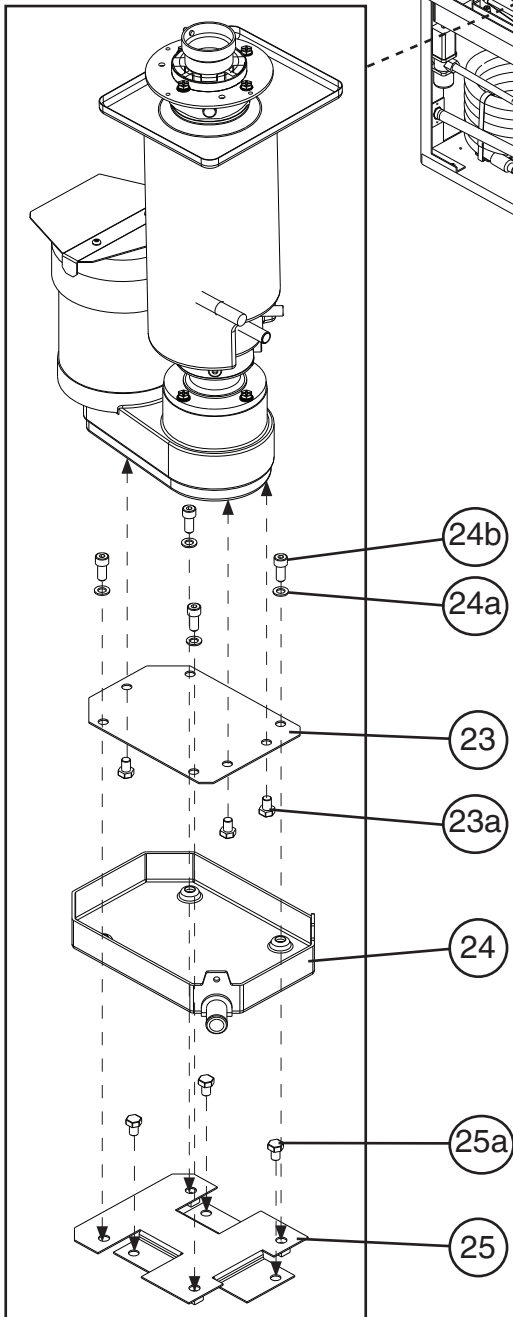
# A. Ice Dispenser Assembly DCM-500BWH

2/2

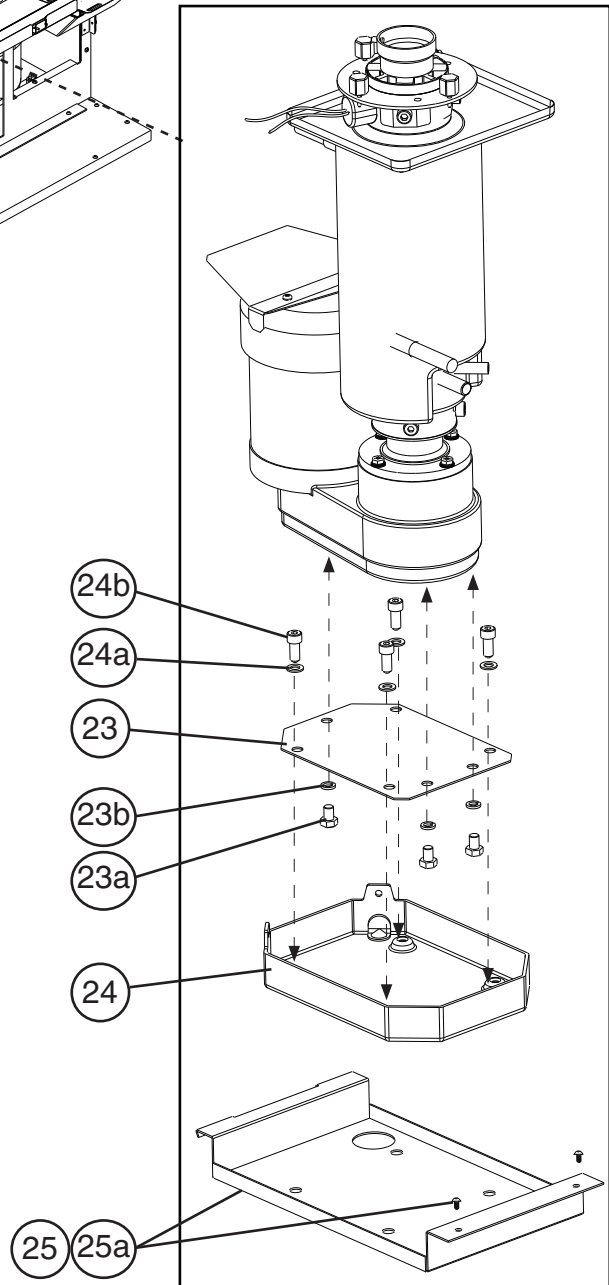
T-0 to H-0



T-0 to V-0,  
V-1(D) and V-2



V-1(L and M) and  
V-3 and Later

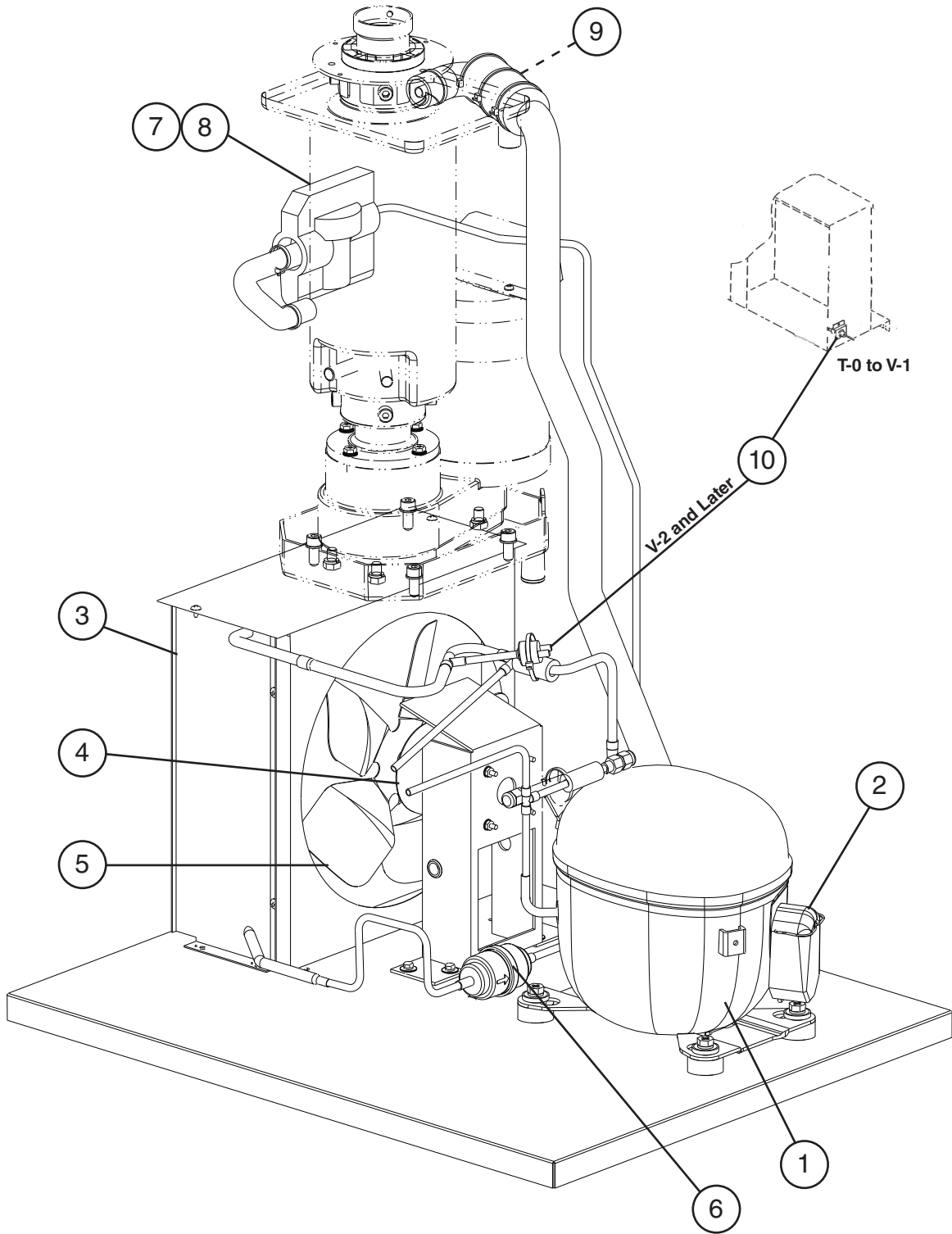




**Title: A. Ice Dispenser Assembly Model: DCM-500BWH**

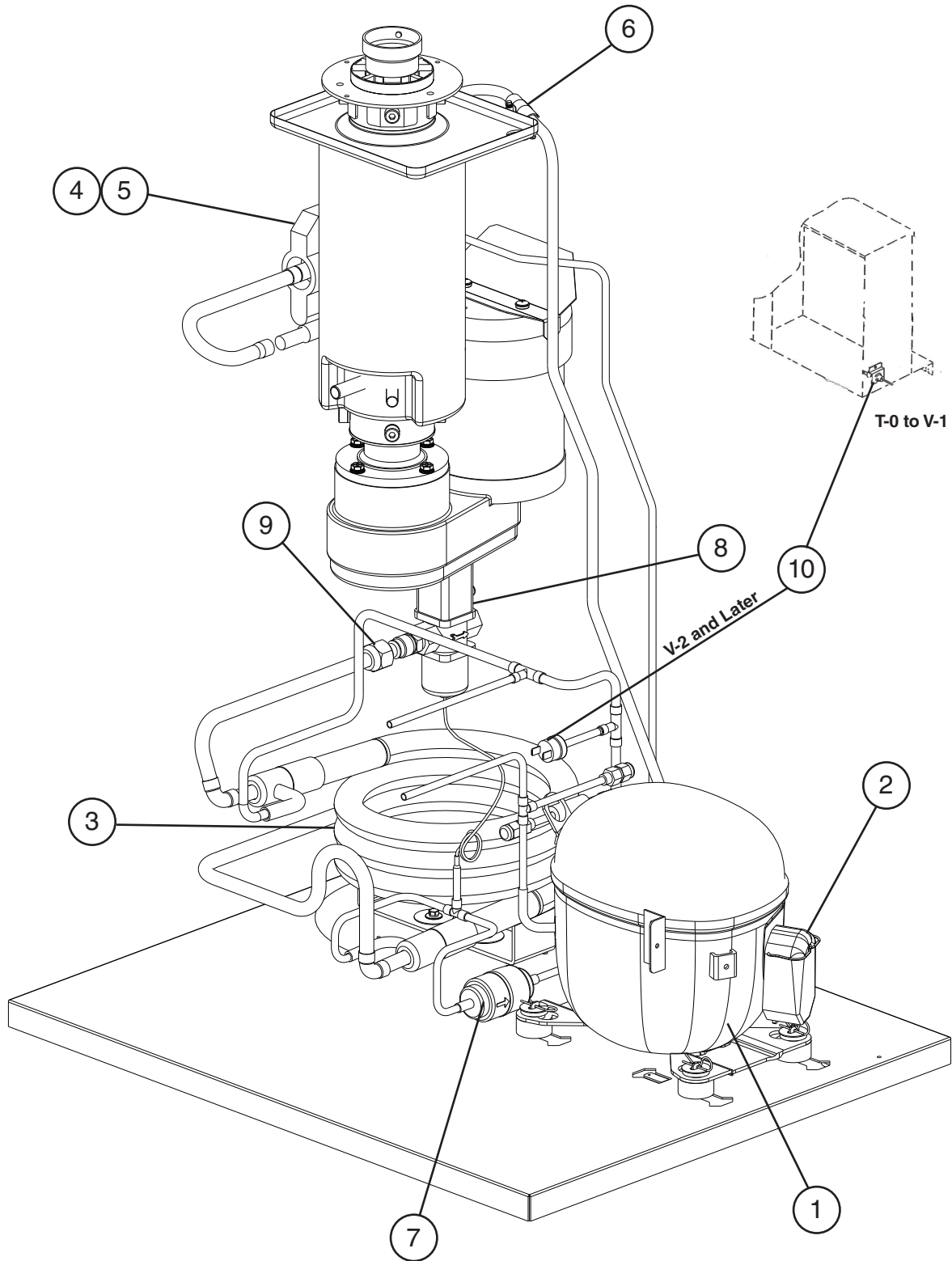
Index No.	Description	Material or Model Number	Part Number	Required Number								
				T-0 to V-0 V-1 (D) V-2	V-1 (L & M) V-3 to G-0	H-0						
1	Top Panel		3A2514G01	1	1	1						
2	Right Side Panel		2A2625-01	1	-							
			2A6141-01		1	1						
3	Left Side Panel		2A2624-01	1	-							
			2A6142-01		1	1						
4	Apron Panel		2A0720-01	1	1	1						
5	Middle Panel (Lo)		2A0699G01	1	1	1						
6	Front Panel Assembly (includes items 7)		3A4999A02	1	1	-						
			3A8897A01			1						
7	Push Switch Assembly (includes items 8)		3A4997A01	1	1	1						
8	Push Switch		435745-02	2	2	2						
9	Control Box Cover		4A5054-01	1	1	1						
10	Bin Cover		2A0880A02	1	1	1						
10a	Thumbscrew		415949G12	4	4	4						
10b	Bin Cover Gasket		318984G01	1	1	1						
11	Ice Chute		4A2204-01	1	1	1						
11a	Thumbscrew		415949G08	2	2	2						
12	Cup Guide		326702-01	2	2	2						
13	Grille		2A0827G01	1	1	1						
14	Drip Tray		2A2591G01	1	1	1						
15	Spout B		208807-01	1	1	1						
15a	Thumbscrew		415949G11	4	4	4						
16	Spout		103329G01	1	1	1						
16a	Thumbscrew		415949G11	3	3	3						
17	Spout Packing A		427195-01	1	1	1						
18	Spout Packing B		427196-01	1	1	1						
19	Spout Cover		215773-01	1	1	1						
19a	Thumbscrew		415949G08	2	2	2						
20	Gasket		429758-01	2	2	2						
21	Auger (Dispense)		339192G01	1	1	1						
22	Agitator		3A0895G01	1	1	1						
23	Gear Motor Base		4A4308-01	1	1	1						
23a	Hex Head Bolt	8x12	7B02-0812	3	3	3						
23b	Split Lock Washer	M8	7L22-0800		3	3						
24	Drain Pan		4A4354G01	1	-							
			4A4354G02		1	1						
24a	Flat Washer	M8, SS	7W22-0800	4	4	4						
24b	Allen Head Cap Screw	8x20, SS	7S12-0820	4	4	4						
25	Drain Pan Bracket		4A4315G01	1	-							
			2A5389G01		1	1						
25a	Hex Head Bolt	8x12	7B02-0812	3	-							
	FT Screw	4x8	7F32-0408		4	4						

**B. Refrigeration Circuit**  
**DCM-500BAH**  
T-0 to H-0



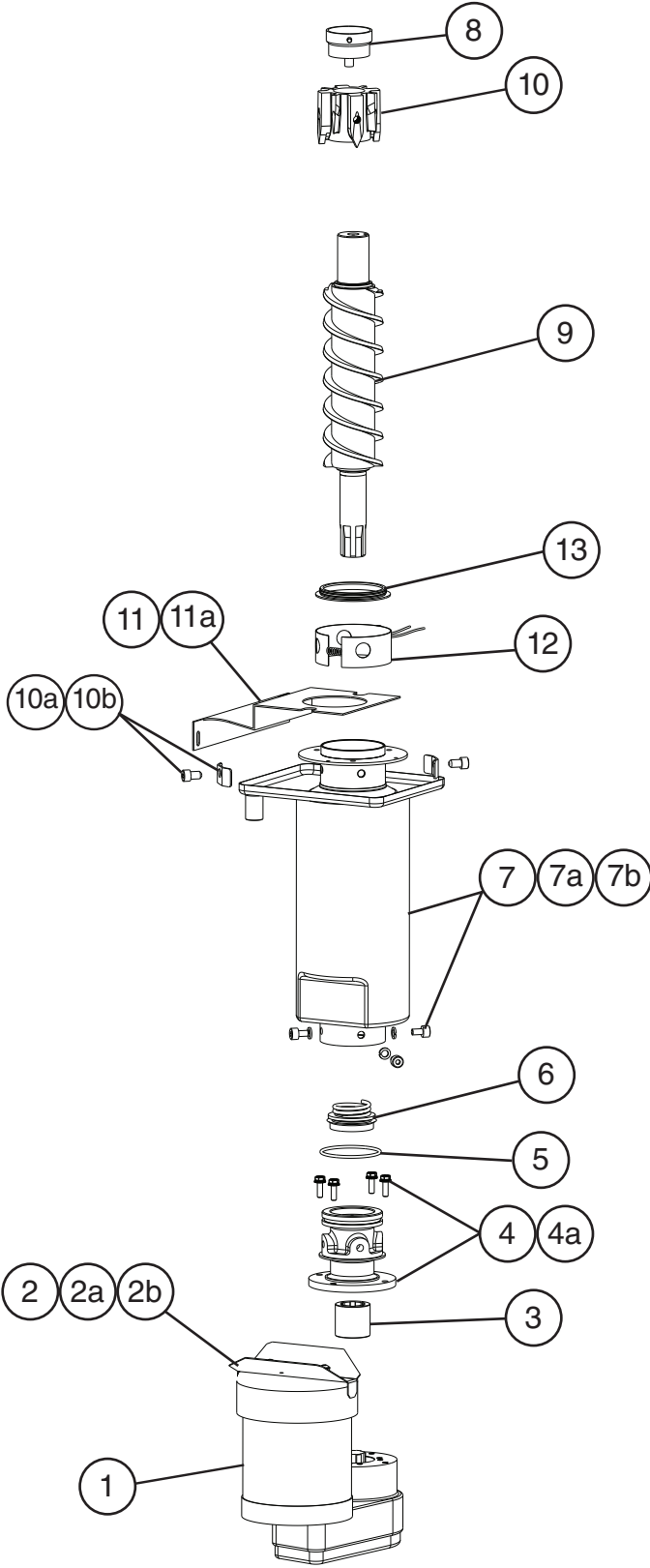
Title: B. Refrigeration Circuit Model: DCM-500BAH											
Index No.	Description	Material or Model Number	Part Number	Required Number							
				T-0 to V-0	V-1 to H-0						
1	Compressor	RS43C2E-CAA	4A2300-01	1	-						
		RST45C1E-CAA	4A4479-01		1						
2	Compressor Protector		4A1805-01	1	-						
			4A4481-01		1						
3	Condenser		210104-02	1	1						
4	Fan Motor		4A3158-01	1	1						
5	Fan Blade		444898-01	1	1						
6	Drier		4A1113-01	1	1						
7	Thermostatic Expansion Valve		4A1117-01	1	1						
8	Thermostatic Expansion Valve Cover		4A1168-01	1	1						
9	Thermostatic Expansion Valve Holder		3A0107-01	1	1						
10	High-Pressure Switch		433441-07	1	-						
			463180-04		1						

**B. Refrigeration Circuit**  
**DCM-500BWH**  
T-0 to H-0



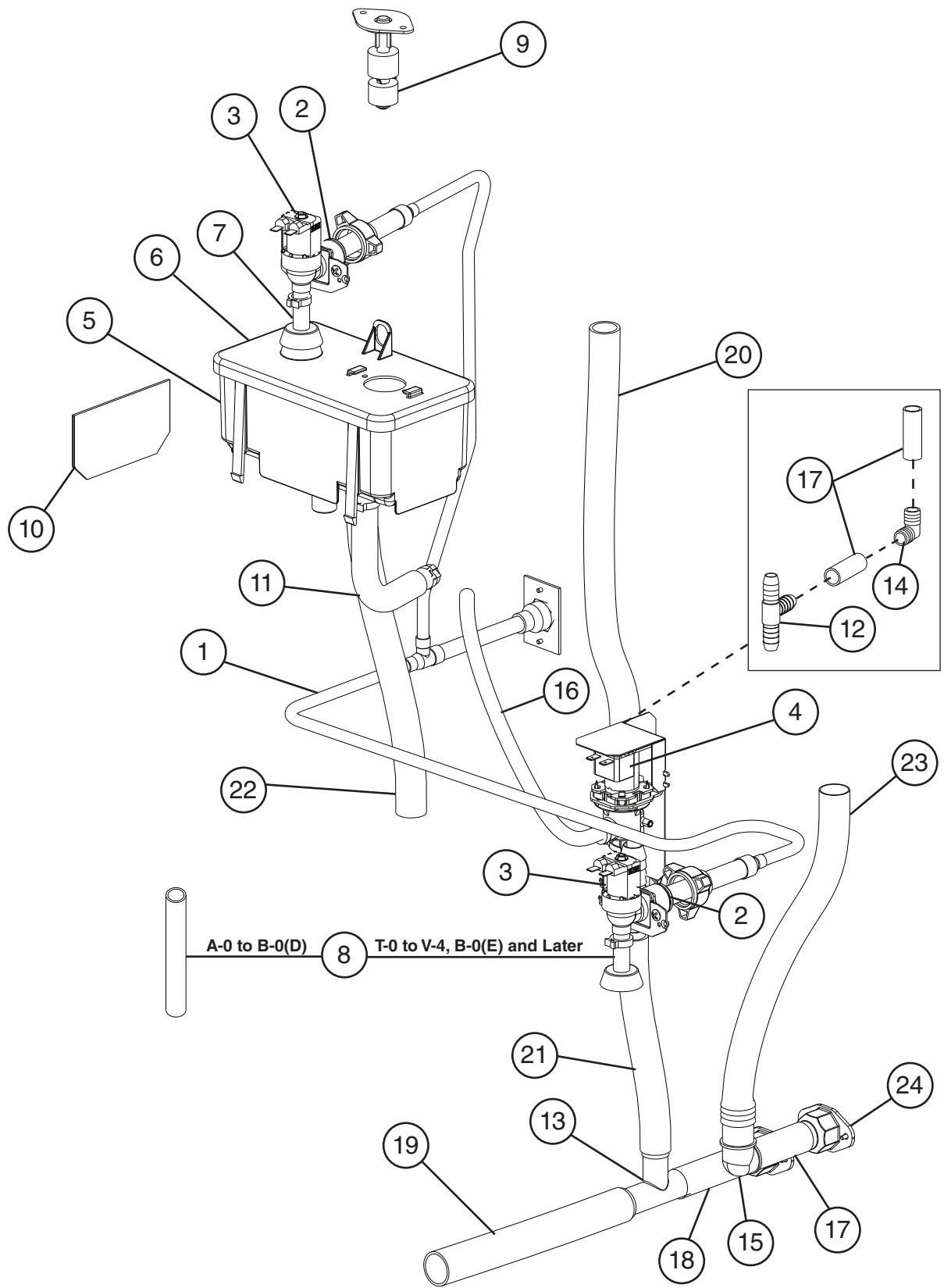
Title: B. Refrigeration Circuit Model: DCM-500BWH											
Index No.	Description	Material or Model Number	Part Number	Required Number							
				T-0 to V-0	V-1 to C-0	C-1 to H-0					
1	Compressor	RS43C2E-CAA	4A2300-01	1	-						
		RST45C1E-CAA	4A4479-01		1	1					
2	Compressor Protector		4A1805-01	1	-						
			4A4481-01		1	1					
3	Condenser	HS-5098	2A2359G02	1	1	-					
			3A7321-01			1					
4	Thermostatic Expansion Valve		4A1117-01	1	1	1					
5	Thermostatic Expansion Valve Cover		4A1168-01	1	1	1					
6	Thermostatic Expansion Valve Holder		3A0107-01	1	1	1					
7	Drier		4A1113-01	1	1	1					
8	Water Regulating Valve		4A0911-04	1	1	1					
9	Male Connector		4A1087-01	1	1	1					
10	High-Pressure Switch		433441-05	1	-						
			463180-05		1	1					

**C. Icemaking Unit**  
**DCM-500B\_H**  
T-0 to H-0



Title: C. Icemaking Unit Model: DCM-500B_H												
Index No.	Description	Material or Model Number	Part Number	T-0 to H-0	Required Number							
1	Gear Motor		4A5650-01	1								
2	Gear Motor Cover		3A4584-01	1								
2a	Truss Head Screw		7C32-0508	2								
2b	Rubber Seal Washer		4A5268-02	2								
3	Spline Coupling		4A3204-01	1								
4	Housing		2A0947G01	1								
4a	Bolt		4A1989-01	4								
5	O-Ring		4A4755-02	1								
6	Mechanical Seal		432492-01	1								
7	Evaporator		2A3314G01	1								
7a	Split Lock Washer	M8, SS	7L22-0800	4								
7b	Allen Head Cap Screw	8x12, SS	7S12-0812	4								
8	Cutter		427183G01	1								
9	Auger		120863G02	1								
10	Extruding Head		216530G07	1								
10a	Washer		427184-01	1								
10b	Seal Bolt		P01768-01	4								
11	Evaporator Bracket		3A0360-01	1								
11a	Hex Jead Bolt w/Washer	5x10, SS	7B0230510	2								
12	Evaporator Heater		4A2292-01	1								
13	Packing		427151-02	1								

**D. Water Circuit**  
**DCM-500B\_H**  
 T-0 to H-0





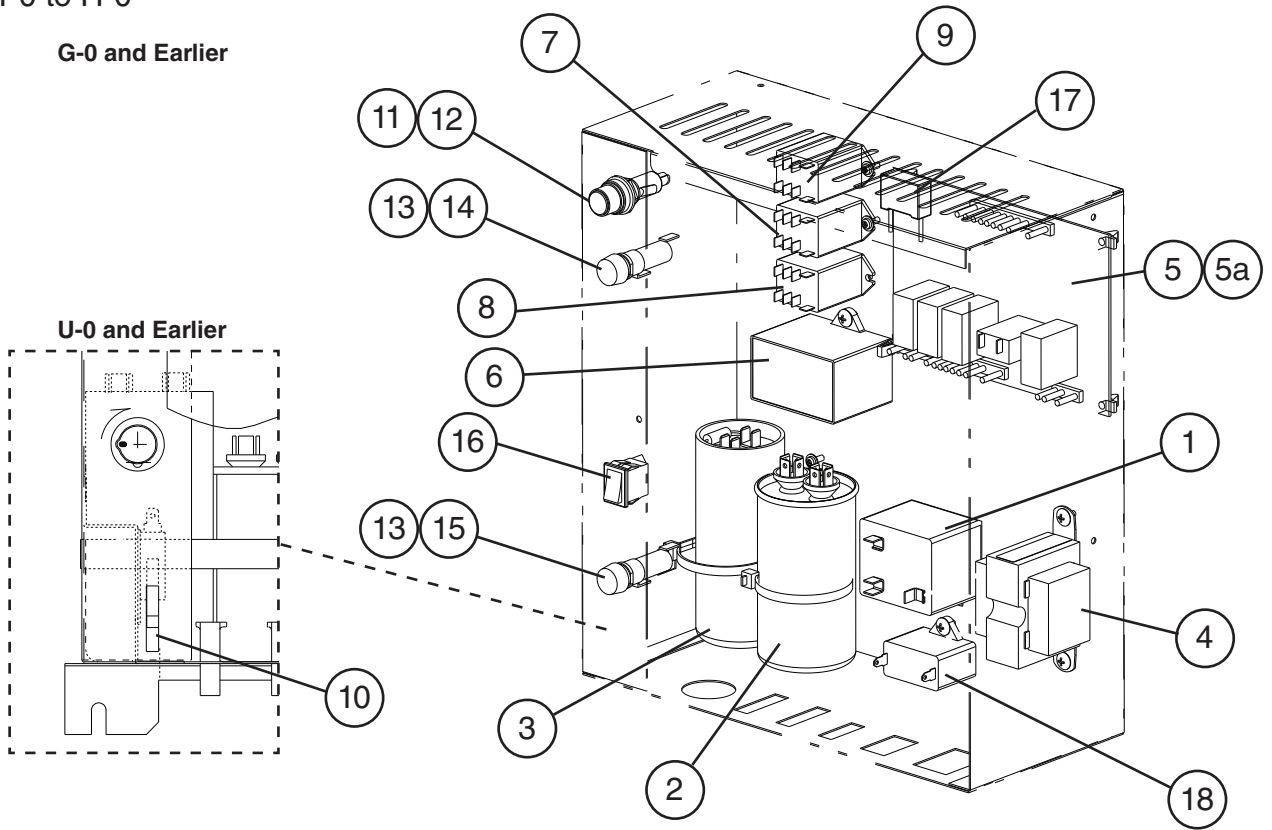
Title: D. Water Circuit Model: DCM-500B_H													
Index No.	Description	Material or Model Number	Part Number	Required Number									
				T-0 to V-0 V-2	V-1 to V-4	A-0 to B-0 (D)	B-0 (E) to D-0	E-0 to H-0					
1	Water Supply Pipe		2A0680G01	1	1	1	1	-					
			2A7569G01					1					
2	Washer		4A0867-01	2	2	2	2	-					
	Rubber Gasket		413854-03					2					
3	Water Valve (Inlet and Dispense)		4A0865-01	2	2	2	2	-					
			4A5309-01					2					
4	Drain Water Valve		4A2772-01	1	1	1	1	1					
5	Reservoir		2A0753-01	1	1	1	1	1					
6	Reservoir Cover		214810-01	1	1	1	1	1					
7	Reservoir Inlet (inlet water valve)		4A0869-01	1	1	1	1	1					
8	Reservoir Inlet (dispense valve)		4A0869-01	1	1	-	1	1					
	Vinyl Hose	L=75 mm	7725-0912			1	-						
9	Float Switch		435490-01	1	1	1	1	1					
10	Reservoir Separator		4A1255-01	1	1	1	1	1					
11	Reservoir Hose		4A1165-02	1	1	1	1	1					
12	Tee		4A3615-01	1	1	-							
13	Tee		4A0525-04	1	1	1	1	1					
14	Elbow		4A1017-01	1	1	1	1	1					
15	Elbow		4A1016-01	1	1	1	1	1					
16	Silicone Hose	L=310 mm	773013896	1	-								
		L=300 mm			1	1	1	1					
17	Vinyl Hose	L=70 mm	7716-2025	2	-								
		L=60 mm			3	3	3	3					
18	Vinyl Hose	L=100 mm	7716-2025		1	1	1	1					
19	Vinyl Hose	L=320 mm	7725-1923	1	-								
		L=225 mm			1	-							
		L=290 mm				1	1	1					
20	Vinyl Hose	L=400 mm	4A0658L01			1	1	1					
21	Vinyl Hose	L=225 mm	7725-1923			1	1	1					
22	Vinyl Hose	L=250 mm	4A0658L01	1	-								
		L=570 mm			1	1	1	1					
23	Vinyl Hose	L=430 mm	7725-1923			1	1	1					
24	Drain Fitting		4A0776G01	2	2	2	2	-					
			4A5527-01					2					
<b>Hose Clamp</b>													
	Hose Clamp	21-26 mm	4A2017-01	10	-								
	Hose Clamp	26-30 mm	4A2017-02	2	-								
	Hose Clamp	31-36 mm	4A2017-03	4	-								
	Hose Clamp	17-20 mm	4A2017-05	1	1	1	1	1					
	Hose Clamp	19-22 mm	4A2017-06	1	-								
	Hose Clamp	13-15 mm	4A2017-08	4	3	3	3	3					

# E. Control Box Assembly

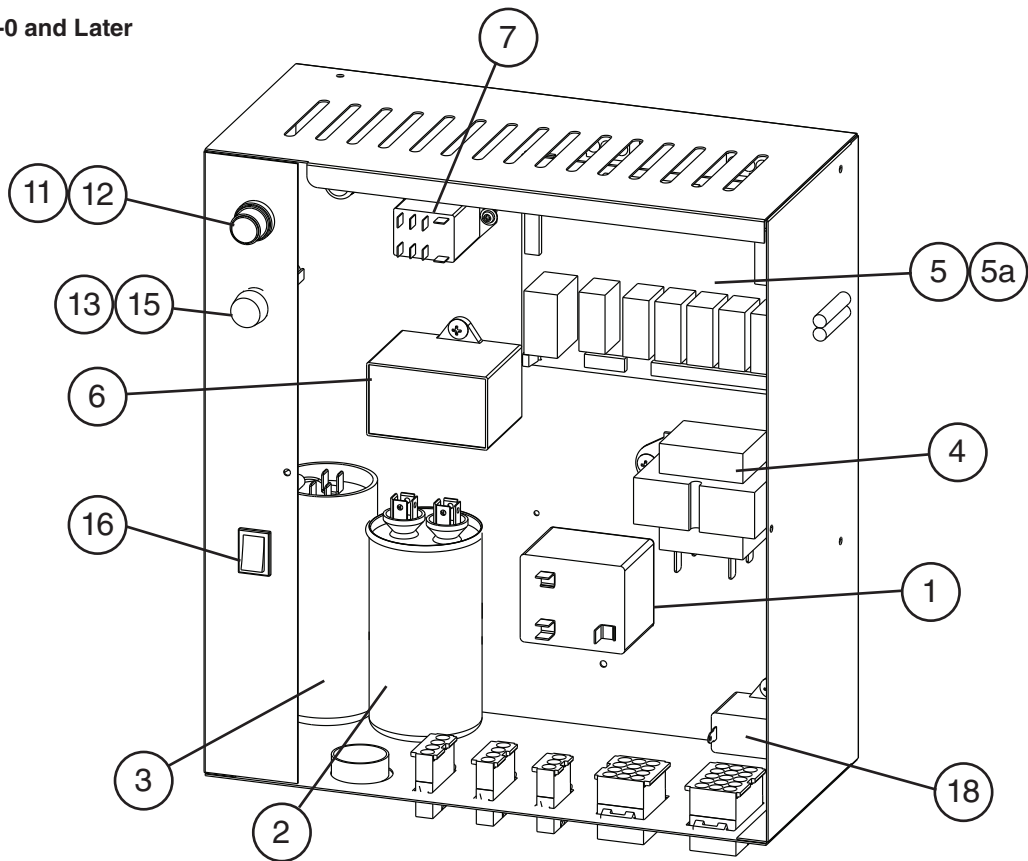
## DCM-500B\_H

T-0 to H-0

G-0 and Earlier



H-0 and Later



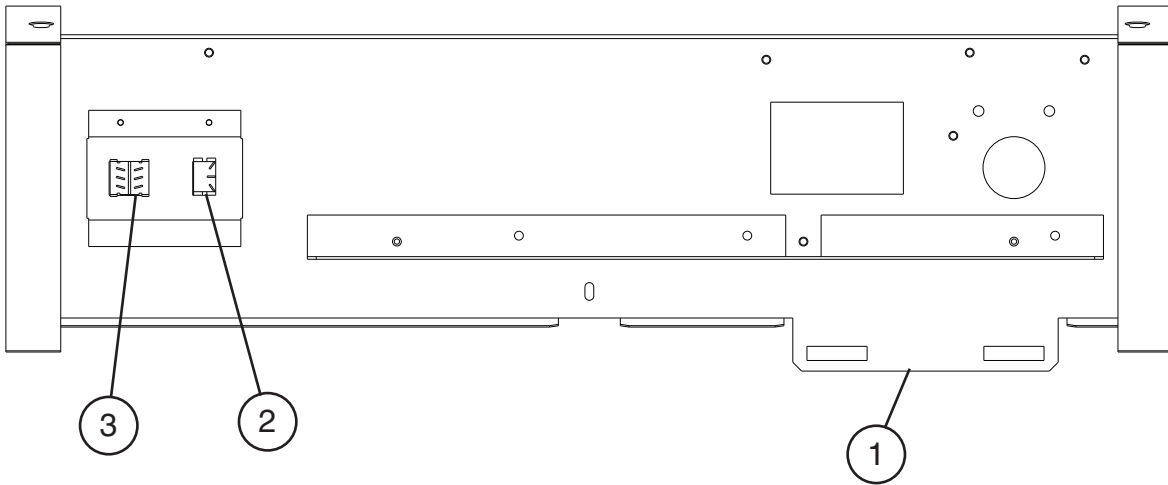
**Title: E. Control Box Assembly Model: DCM-500B\_H**

Index No.	Description	Material or Model Number	Part Number	Required Number								
				T-0 to U-0	U-1 V-0	V-1 to A-0 (B)	A-0 (C) to G-0	H-0				
1	Start Relay		4A1107-11	1	1	1	1	1				
2	Run Capacitor	15MFD, 370VAC	3A2005-08	1	1	-						
		35MFD, 440VAC	3A2005-12			1	1	1				
3	Start Capacitor	243-292MFD, 115VAC	3A0076-10	1	1	-						
		243-292MFD, 165VAC	3A0076-20			1	1	1				
4	Control Transformer		3A6652-01	1	1	1	1	-				
			4A0557-01					1				
5	Control Board		2A1592-01	1	1	1	1	-				
			2A8054-01					1				
5a	Control Board Support		4A0336-03	4	4	4	4	4				
6	Gear Motor Capacitor	20MFD, 350VAC	4A4319-01	1	1	1	1	1				
7	Gear Motor Relay	120VAC	406132-07	1	1	1	1	1				
8	Power Protect Relay	220/240VAC	418271-05	1	1	1	1	-				
9	Water Control Relay	24VAC	406132-03	1	1	1	1	-				
10	Microswitch		4A2546-01	1	-							
11	Fuse Holder		4A0892-01	1	1	1	-					
			4A5443-01				1	1				
12	Fuse	AGC-1A, 250VAC	4A0893-01	1	1	1	1	1				
13	Fuse Holder		4A3449-02	2	2	2	2	-				
			4A6101-01					1				
14	Fuse	GMC-500mA, 250VAC	4A0893-02	1	1	1	1	-				
15	Fuse	GMD 2.0A, 250VAC	4A0893-05	1	1	1	1	1				
16	Power Switch		4A0558-01	1	1	1	1	1				
17	R-C Capacitor (Noise Reducer)		4A4472-01	1	1	1	1	-				
18	Fan Motor Capacitor	<b>DCM-500BAH</b> 5MFD, 250VAC	443192-02	1	1	1	1	1				

## F. Middle Front Frame Assembly

### DCM-500B\_H

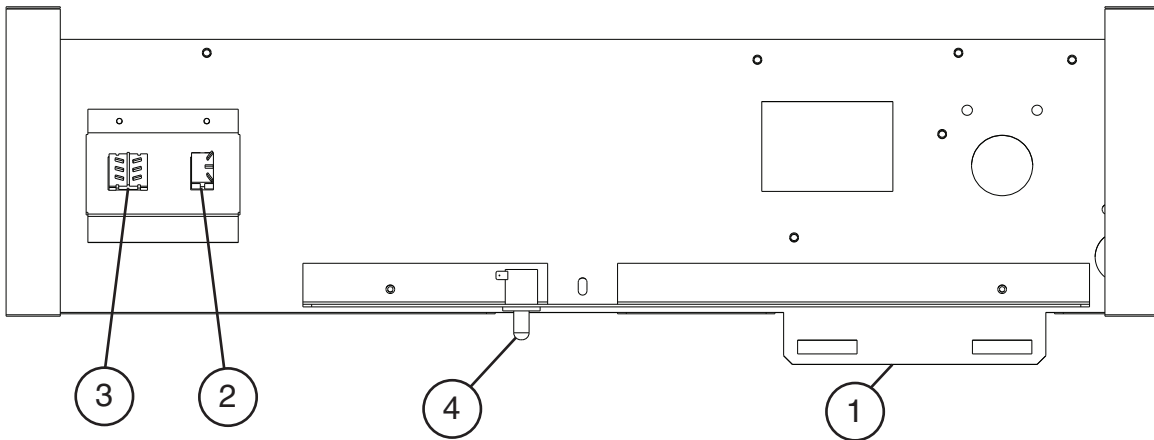
T-0(C) to U-0



## F. Middle Front Frame Assembly

### DCM-500B\_H

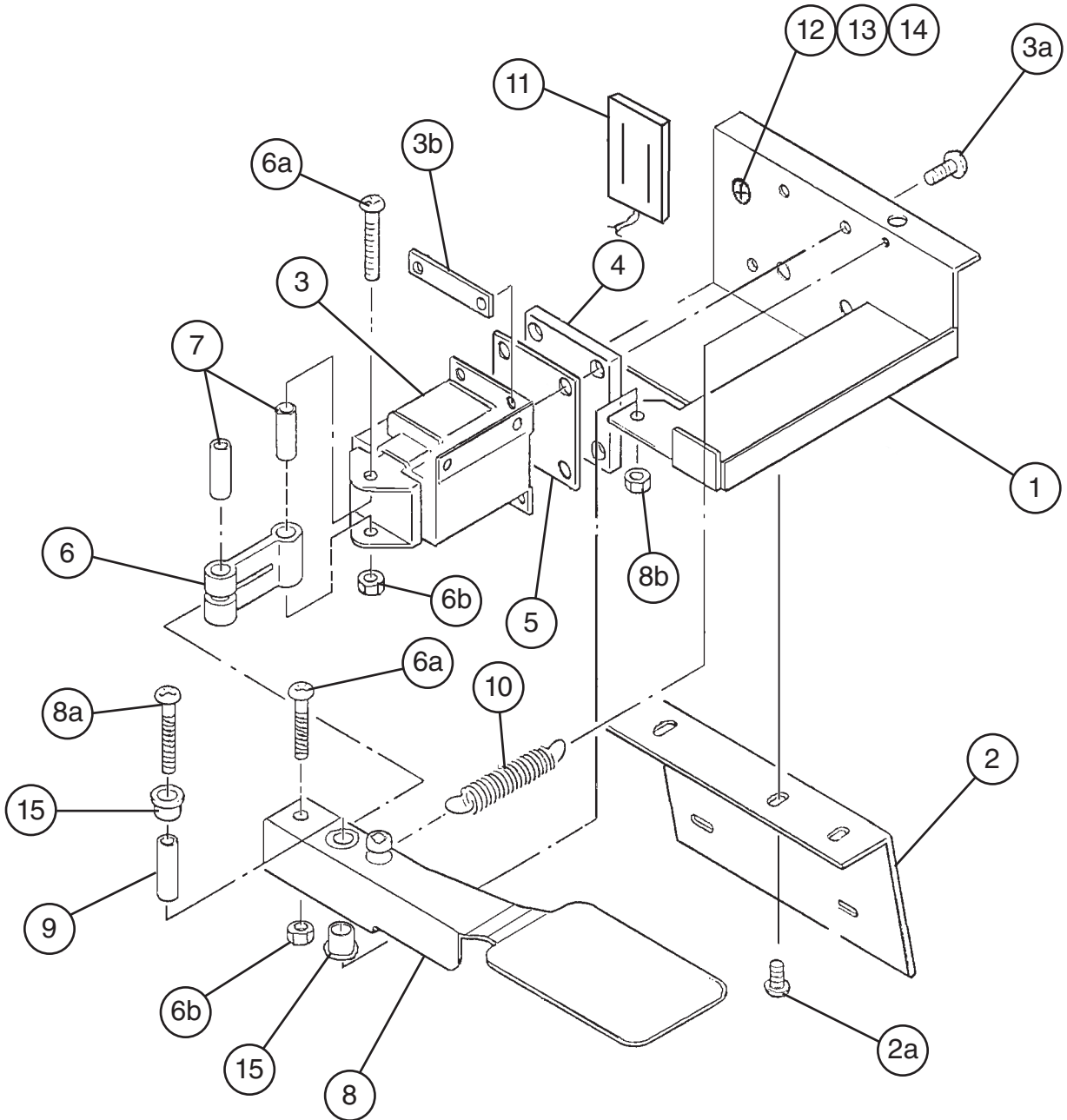
U-1 to H-0



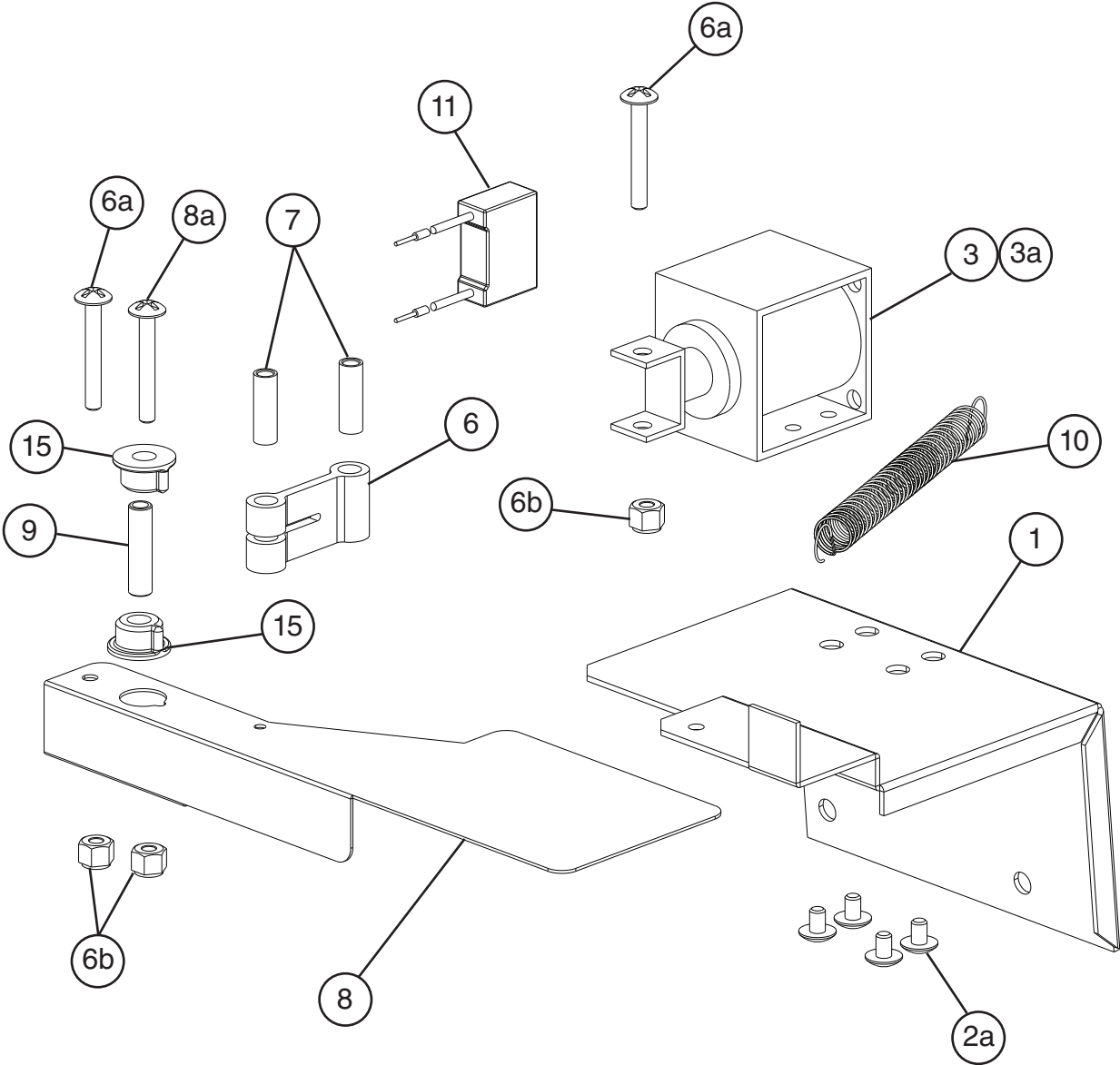
**Title: F. Middle Front Frame Assembly Model: DCM-500B\_H**

Index No.	Description	Material or Model Number	Part Number	Required Number								
				T-0 (C)	T-0 (E) to U-0	U-1 to G-0	H-0					
1	Middle Front Frame		2A2609G01	1	-							
			2A4748G01		1	1	-					
			2A7940G01					1				
2	Dispense Switch		4A2957-01	1	-							
			4A0558-01		1	1	1					
3	Control Switch		4A1034-01	1	1	1	1					
4	Plunger Switch		4A5034-01			1	1					

**G. Shutter Assembly**  
**DCM-500B\_H**  
**1/2**  
T-0 to A-0



**G. Shutter Assembly**  
**DCM-500B\_H**  
**2/2**  
A-1 to H-0

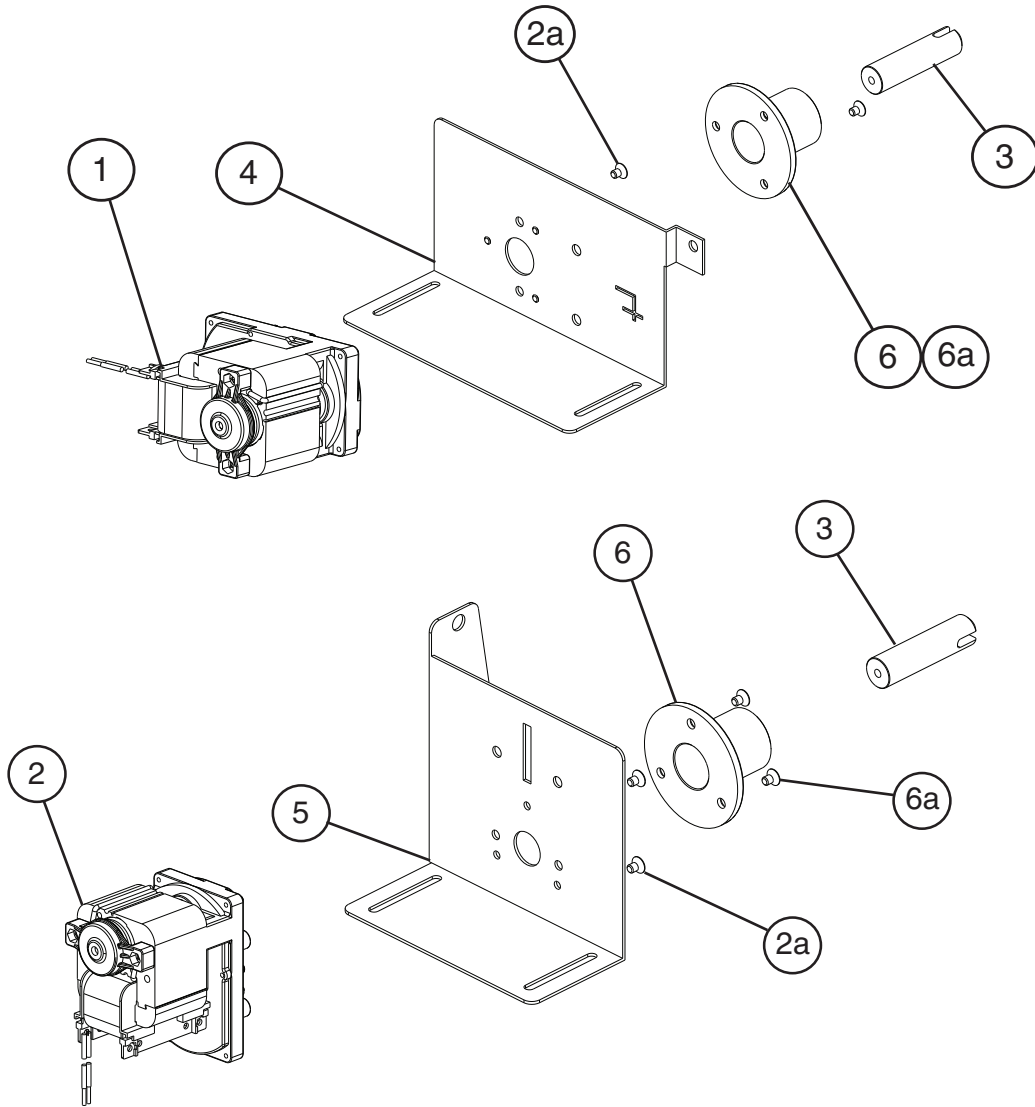


Title: G. Shutter Assembly Model: DCM-500_H											
Index No.	Description	Material or Model Number	Part Number	Required Number							
				T-0 to A-0	A-1 to H-0						
1	Shutter Base		3A1817-01	1	-						
			3A6138-01		1						
2	Shutter Base (B)		3A1762-01	1	-						
2a	Truss Head Screw	4x8, SS	7C32-0408	2	-						
			7C32-0406		4						
3	Solenoid		3U0095-01	1	-						
			4A0856-01		1						
3a	Truss Head Screw	4x12, SS	7C32-0412	4	-						
3b	Solenoid Nut	SS	429723-01	2	-						
4	Solenoid Packing		430380-01	1	-						
5	Packing Cover	SS	431623-01	1	-						
6	Link		432232-01	1	1						
6a	Truss Head Screw	4x30, SS	7C32-0430	2	2						
6b	Self-Locking "U" Nut	M4, SS	7N22-0400	2	3						
7	Collar (D)	SS	432471-01	2	2						
8	Lever		3A1653G01	1	-						
			3A6139-01		1						
8a	Truss Head Screw	4x30, SS	7C32-0430	1	1						
8b	Self-Locking "U" Nut	M4, SS	7N22-0400	1	-						
9	Collar (E)		432240-02	1	1						
10	Spring		432878-01	1	1						
11	R-C Capacitor		4A1012-01	1	1						
12	Truss Head Screw (GND)	4x8, SS	7C32-0408	2	-						
13	Hex Nut	M4, SS	7N12-0400	1	-						
14	Tooth Washer	M4, SS	7R22-0400	1	-						
15	Plastic Sleeve Insert		432235-01	2	-						
			435533-01		2						

# H. Gear Motor Assembly (Agitator & Dispense)

DCM-500B\_H

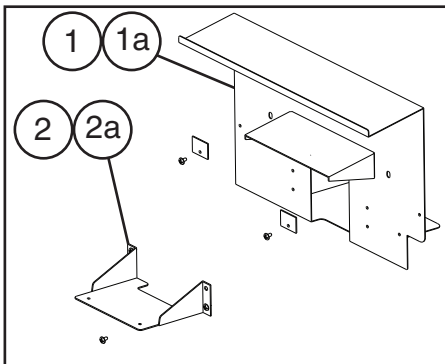
T-0 to H-0



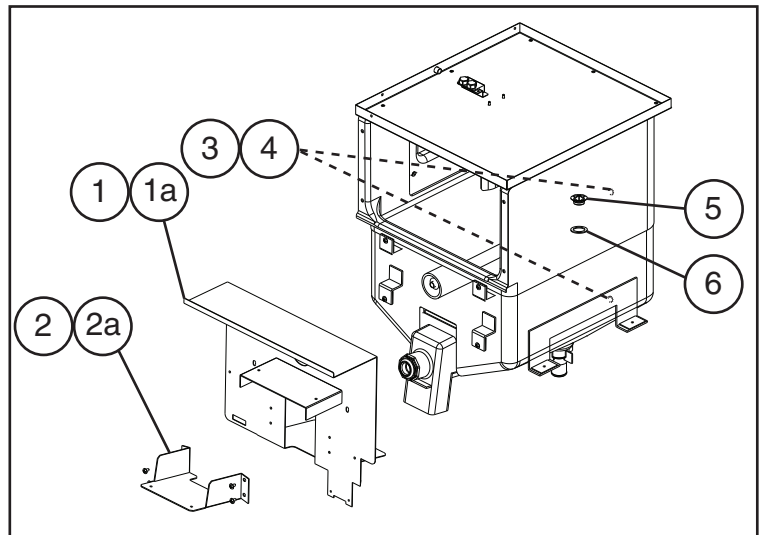
Title: H. Gear Motor Assembly (Agitator & Dispense) Model: DCM-500B_H					Required Number												
Index No.	Description	Material or Model Number	Part Number	T-0 to H-0													
1	Gear Motor		3A6786-01	1													
2	Gear Motor		3A6786-02	1													
2a	Flat Head Screw	4x8, SS	7C22-0408	4													
3	Joint		429764-01	1													
4	Gear Motor Bracket (B1)		4A0618-01	1													
5	Gear Motor Bracket (A3)		3A0361-01	1													
6	Plastic Sleeve (A)		429761-01	1													
6a	Flat Head Screw	4x8, SS	7C22-0408	3													



**I. Bin Assembly**  
**DCM-500B\_H**  
 T-0 to H-0



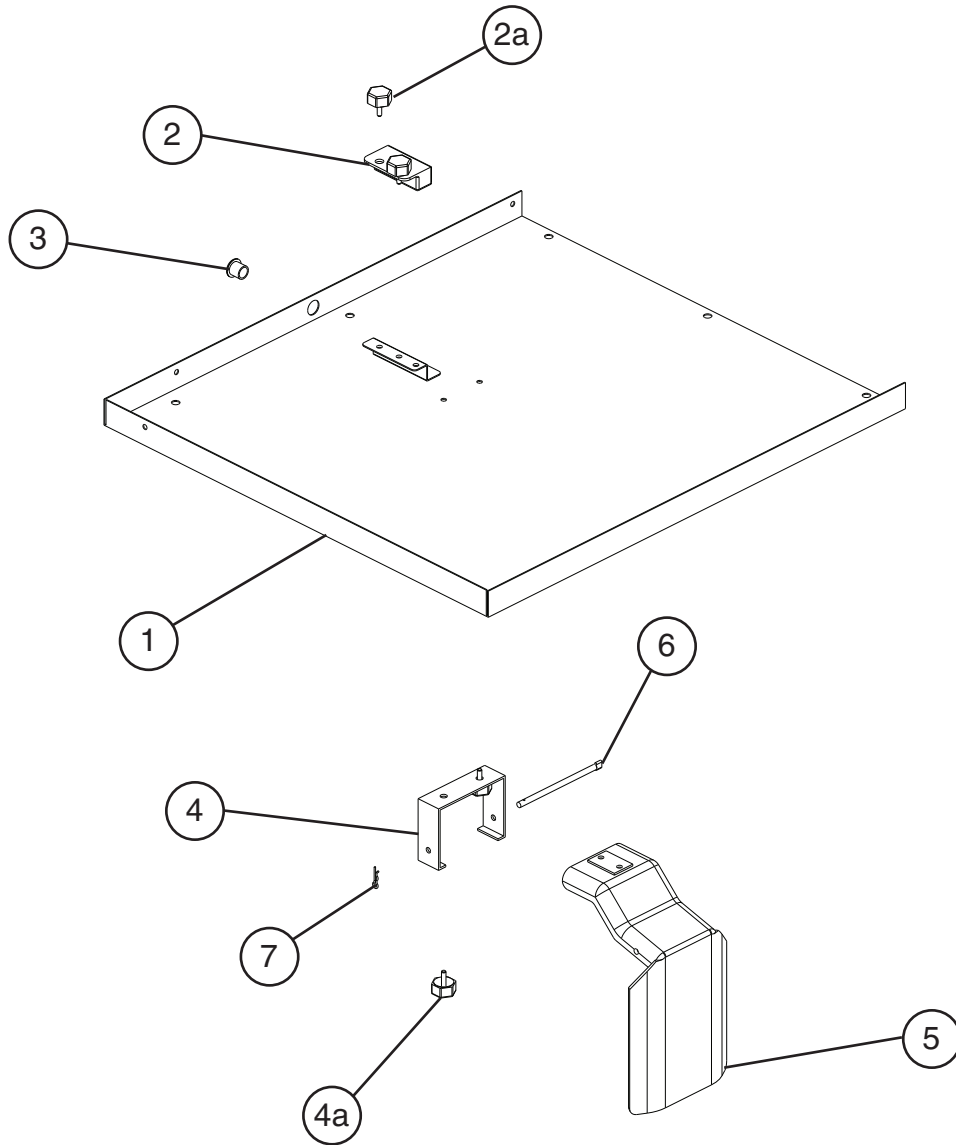
T-0 to V-2



V-3 and Later

Title: I. Bin Assembly Model: DCM-500B_H										
Index No.	Description	Material or Model Number	Part Number	Required Number						
				T-0 to V-0	V-1 to V-3	E-0 to H-0				
1	Barrier		2A2008G01	1	-					
			2A5487G01		1	-				
			2A7679G01			1				
1a	Truss Head Screw	4x8 SS	7C32-0408	3	3	3				
2	Sliding Bracket		3A0364-01	1	1	1				
2a	Truss Head Screw	4x8, SS	7C32-0408	4	4	4				
3	Shaft Holder (C)		429818-01	2	2	2				
4	O-Ring		7616-P032	2	2	2				
5	Drain Cap		418294-01	1	1	1				
6	Packing		413857-02	1	1	1				

**J. Bin Top Assembly**  
**DCM-500B\_H**  
 T-0 to H-0

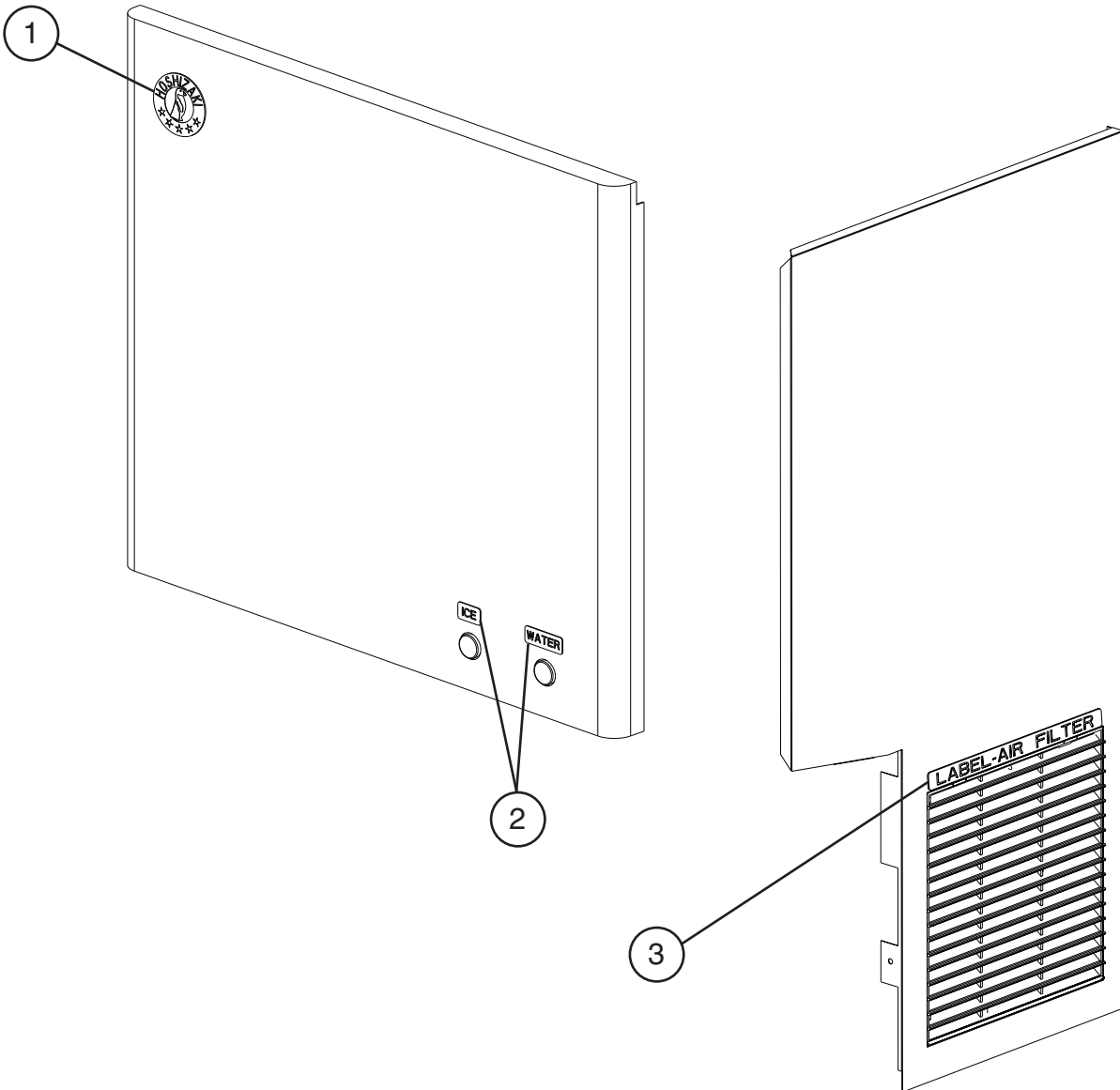


Title: J. Bin Top Assembly		Model: DCM-500B_H		Required Number										
Index No.	Description	Material or Model Number	Part Number	T-0 to H-0										
1	Bin Top Cover		2A1716G01	1										
2	Proximity Switch		4A2033-01	1										
2a	Thumbscrew		415949G08	2										
3	Bushing		420470-07	1										
4	Hinge		3A0762-01	1										
4a	Thumbscrew		415949G08	2										
5	Actuator		208795G01	1										
6	Shaft		412337-03	1										
7	Snap Pin		715S-0004	1										

## K. Accessories & Labels

### DCM-500B\_H

T-0 to H-0



Title: K. Accessories & Labels Model: DCM-500B_H											
Index No.	Description	Material or Model Number	Part Number	T-0 to H-0	Required Number						
1	Penguin Label		475552L02	1							
2	Ice/Water Label		4A2954-01	1							
3	Air Filter Label		426177-01	1							