



IM-500SAA

STACKABLE SQUARE CUBER



IM-500SAA
03/30/17
Item # 13320

W x D x H
44" x 27^{5/8}" x 21^{3/4}"*

IM-500SAA ★
Air-Cooled



Item #: _____
Project: _____
Qty: _____
AIA#: _____

Features

- ▶ Individual square cube
- ▶ Durable stainless steel exterior
- ▶ Air filter easily removable from front of unit

- Up to 500 lbs. of ice production per 24 hours
- Stackable 2 units high for 1000 lbs. per 24 hour ice production in the same floor space (Stacking kit: S25691 required)
- Stackable 3 units high for 1500 lbs. per 24 hour ice production in the same floor space (Two stacking kits: S25691 required)
- EverCheck™ alert system
- R-404A Refrigerant

Available on Bins:

B-700 B-800 B-900

Top kit may be required. See Bin Spec Sheets.

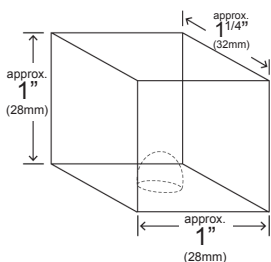
Warranty

- 3 year Parts & Labor on entire machine.
 - 5 year Parts on Compressor; air-cooled condenser coil.
- Valid in United States, Canada, Puerto Rico & U.S. Territories. Contact factory for warranty in other countries.

*Rated in accordance with AHRI Standard 820 (I-P)

Condenser	Model	ICE PRODUCTION				WATER USAGE			ELECTRICAL			Heat Rejection BTU/hr.	Shipping Weight	ENERGY STAR®
		Air / Water Temp Lbs. per 24 hours 70°/ 50°F	90°/ 70°F	Per Cycle Lbs.	Cubes	Potable Gal. per 100 lbs. 90°/ 70°F	Condenser Gal. per 100 lbs. 90°/ 70°F	kWh Used per 100 lbs. 90°/ 70°F	Max. Fuse Size or HACR Circuit Breaker	Amperage	Voltage			
Air-Cooled	IM-500SAA	500	435	6.9	140	19.8	N/A	5.45	20A	11.5A	115V/60/1	4,500	220 lbs.	★

IM Cube Dimensions*



* approximate size; image not to scale

Operating Limits

- Ambient Temp Range 45 - 100°F
- Water Temp Range 45 - 90°F
- Water Pressure 10 - 113 PSIG
- Voltage Range 104 - 127V

Service

- Removable/cleanable air filter
- Panels easily removed and all components accessible for service.

Plumbing

- Icemaker Water Supply Line: Minimum 1/4" Nominal ID Copper Water Tubing or Equivalent
- Icemaker Drain Line: Minimum 3/4" Nominal ID Hard Pipe or Equivalent

Clearance

- Allow 6" clearance at rear, left side, top and 12" clearance at right side for proper air circulation and ease of maintenance/service.



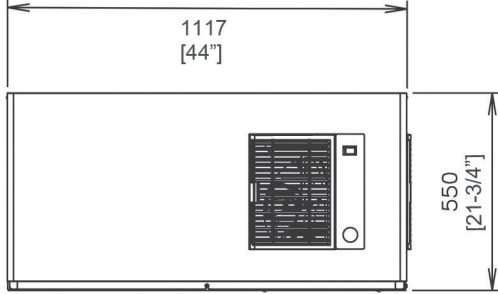
IM-500SAA

STACKABLE SQUARE CUBER

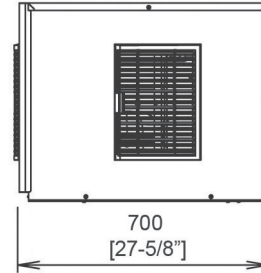


IM-500SAA
03/30/17
Item # 13320

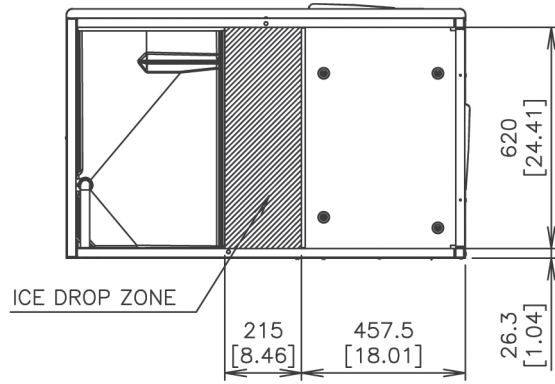
FRONT VIEW



SIDE VIEW



BOTTOM VIEW



REAR VIEW

